

W/C: 14/05/18

Solutions

Name.....

Teacher.....

Assessment Week

F

Year 10 Foundation Tier Maths GCSE

Non-Calculator Paper

Time allowed: 1 Hour

Maximum mark: 54

1 Circle the decimal which has the same value as $\frac{3}{5}$ $\overset{\times 2}{=} \frac{6}{10} = 0.6$ [1 mark]

0.06 0.35 0.6 3.5

2 How many millimetres are there in 7.5 centimetres? $\overset{\times 10}{\downarrow} 1\text{cm} = 10\text{mm} \downarrow \times 7.5$
 $\downarrow 7.5\text{cm} = 75\text{mm}$ [1 mark]

Circle your answer.

0.75 70.5 75 750 7500

3 Which of these shapes has two lines of symmetry? [1 mark]

Circle your answer.



4 Circle the number that is 7 less than -12 [1 mark]

-19 -5 5 19

$$-12 - 7 = -19$$

5 (a) Solve $x - 3 = 14$ (+3) [1 mark]

$$x = 17$$

$$x = \underline{\underline{x = 17}}$$

5 (b) Solve $5y = 45$ ($\div 5$) [1 mark]

$$y = 9$$

$$y = \underline{\underline{y = 9}}$$

5 (c) Solve $8 + w = 6$ (-8) [1 mark]

$$w = -2$$

$$w = \underline{\underline{w = -2}}$$

6 (a) Work out $9174 \div 11$ [2 marks]

$$\begin{array}{r} 0834 \\ 11 \overline{) 9174} \end{array}$$

Answer 834

6 (b) Work out $\frac{5}{6} + \frac{3}{7}$ Need a common denominator

Give your answer as a mixed number.

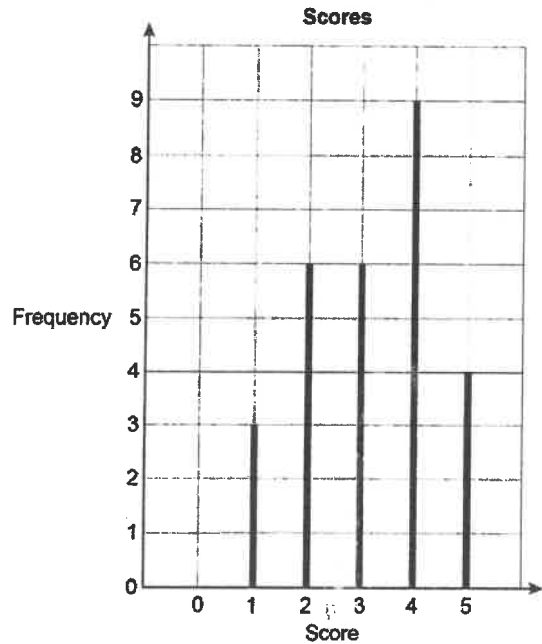
[3 marks]

$$\frac{5}{6} + \frac{3}{7} = \frac{35}{42} + \frac{18}{42} = \frac{53}{42} = 1 \frac{11}{42}$$

Answer $1 \frac{11}{42}$

$$\begin{array}{r} 35 \\ + 18 \\ \hline 53 \end{array}$$

7 The diagram shows the scores given by judges during a television show.



7 (a) Which score was the mode?

most common

[1 mark]

Answer

4

7 (b) There were 4 judges.
Each judge gave one score in each round.
How many rounds were there?

[3 marks]

$$3 + 6 + 6 + 9 + 4 = 28$$

$$28 \div 4 = 7$$

Answer

8 A library book was due to be returned on 27 September.
It was actually returned on 14 October.
There is a fine of 8p for every day the book is late.

Work out the total fine.

[3 marks]

$$10 \times 8 = 80$$

$$7 \times 8 = 56$$

+

$$136p$$

September has 30 days.

3 + 14 = 17 days late

$$17 \times 8 = 136p = \pounds 1.36$$

Answer £

1.36

28
Sept

29
Sept

30
Sept

1
Oct

2
Oct

3
Oct

4
Oct

5
Oct

6
Oct

7
Oct

8
Oct

9
Oct

10
Oct

11
Oct

12
Oct

13
Oct

14
Oct

- 9 In a game, three stars are hidden at random.
Each star is behind a different square on this board.

	A	B	C	D	E
1					
2					X
3					
4					
5					

25 squares

- 9 (a) A square is chosen at random.
What is the probability that there is a star behind it?

Answer $\frac{3}{25}$

[1 mark]

- 9 (b) In one game, the stars are behind three consecutive squares.
The squares are in one row or one column.
One of the squares is E2

Write down all the possible pairs for the other two squares.

[2 marks]

E1 and E3
or C2 and D2
or E4 and E3

Answer _____

- 10 Complete the table to show equivalent fractions and percentages.

[3 marks]

Fraction	Percentage
$\frac{1}{2}$	50%
$\frac{3}{10}$	30%
$\frac{43}{100}$	43%
$\frac{5}{2}$	250%

$$\star \frac{3}{10} = \frac{30}{100} = 30\%$$

$$\star 43\% = \frac{43}{100}$$

$$\star \frac{5}{2} = \frac{250}{100}$$

11 (a) Cards in a pack are red or blue in the ratio

red : blue = 2 : 3

$2+3=5$

What fraction of the cards are red?

Circle your answer.

[1 mark]

$\frac{5}{6}$

$\frac{2}{3}$

$\frac{2}{5}$

$\frac{3}{5}$

11 (b) A different pack has 72 cards.

$\frac{5}{9}$ are yellow.

Work out the number of yellow cards.

[2 marks]

$\frac{5}{9} \text{ of } 72$

$72 \div 9 = 8$

$8 \times 5 = 40$

Answer

40

$9 \overline{) 72} \begin{array}{r} 08 \\ \underline{72} \\ 0 \end{array}$



12 (a) How many edges are there on a square-based pyramid?

Circle your answer.

[1 mark]

4

5

$\frac{8}{5}$

12

12 (b) How many faces of a triangular prism are triangles?

Circle your answer.

[1 mark]



$\frac{2}{5}$

3

4

5

13 A bus can be early, on time or late.

The probability that the bus is early is 0.1

The probability that the bus is on time is 0.6

Probability adds up to 1

Work out the probability that the bus is late.

[2 marks]

$0.1 + 0.6 = 0.7$

$1 - 0.7 = 0.3$

Answer

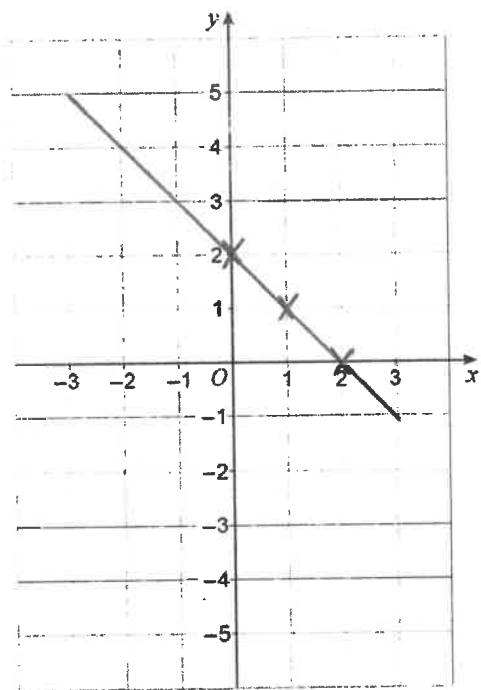
0.3

14

On the grid, draw the graph of $x + y = 2$ for values of x from -3 to 3

[2 marks]

x	0	1	2
y	2	1	0



15

5% of a number is 31

1% of the same number is 6.2

Work out 13% of the number.

$$\begin{array}{r} 6.2 \\ 6.2 \\ + 6.2 \\ \hline 18.6 \end{array}$$

5% = 31

10% = 62

1% = 6.2

3% = 18.6

[3 marks]

$$10\% + 3\% = 13\%$$

$$62 + 18.6 = \underline{80.6}$$

$$\begin{array}{r} 62 \\ + 18.6 \\ \hline 80.6 \end{array}$$

Answer 80.6

16

Complete the grid so that when you

multiply the three numbers in any column, row or diagonal the answer is 1

[3 marks]

① $10 \times \frac{1}{2} = 5$

$5 \times \frac{1}{5} = 1$

② $\frac{1}{20} \times 20 = 1$

$1 \times 1 = 1$

①

10	$\frac{1}{5}$	$\frac{1}{2}$	= 1
----	---------------	---------------	-----

②

$\frac{1}{20}$	1	20	= 1
----------------	---	----	-----

③

2	5	$\frac{1}{10}$	= 1
---	---	----------------	-----

③ $2 \times 5 = 10$

$10 \times \frac{1}{10} = 1$

17 A sequence has three terms.

The term-to-term rule for the sequence is

multiply by 8 and then add 11

17 (a) The first term of the sequence is -1

Work out the third term.

[2 marks]

① -1

② $-1 \times 8 + 11 = -8 + 11 = 3$

③ $3 \times 8 + 11 = 24 + 11 = 35$

Answer 35

17 (b) The order of the three terms is reversed to make a new sequence.

Work out the term-to-term rule for this sequence.

[1 mark]

take away 11 and divide by 2.

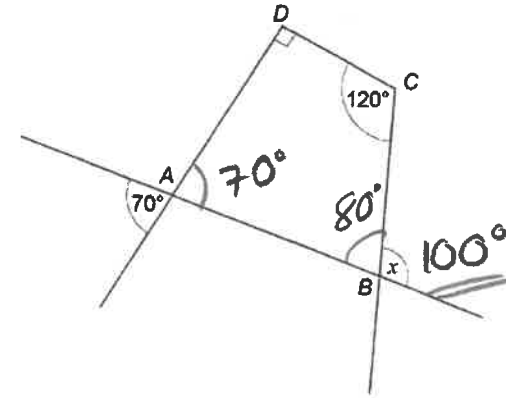
Answer _____

$\boxed{\times 2} \rightarrow \boxed{+ 11}$

$\boxed{\div 2} \leftarrow \boxed{- 11}$

18 ABCD is a quadrilateral.

Sides are extended as shown.



Not drawn accurately

Show that $x = 100^\circ$

[3 marks]

$70 + 120 + 90 = 280^\circ$

$360 - 280 = 80^\circ$

$180 - 80 = 100^\circ$

* angles in a quadrilateral add up to 360°

* angles on a straight line add up to 180°

* angles that are vertically opposite are the same.

19

Use 2 gallons = 9 litres to convert 17 gallons into litres.

[3 marks]

$$1 \text{ GALLON} = 4.5 \text{ LITRES}$$

$$\text{FOR 16 GALLONS: } 2 \text{ GALLONS} \times 8 \text{ SO} \\ 9 \text{ LITRES} \times 8 = 72 \text{ LITRES}$$

$$\text{THEN ADD ON } 1 \text{ L} = 4.5 \text{ L}$$

$$\begin{array}{r} 72.0 \\ + 4.5 \\ \hline 76.5 \end{array}$$

Answer 76.5 litres

20

 n is an odd number. 1, 3, 5, 7, 9 etc. p is a prime number. 2, 3, 5, 7, 11, ...In each part write down possible values of n and p so that20 (a) $n + p$ is a square number.

[1 mark]

$$1 + 3 = 4, \quad 4 \text{ IS SQUARE}$$

$$n = \underline{1} \quad p = \underline{3}$$

20 (b) np is a square number.

[1 mark]

$$3 \times 3 = 9 \quad 9 \text{ IS SQUARE}$$

$$n = \underline{3} \quad p = \underline{3}$$

21

$$x : y = 7 : 4$$

$$x + y = 88$$

Work out the value of $x - y$

[3 marks]

$$\begin{array}{l} x : y \\ 7 : 4 \end{array} \times 8 \quad \begin{array}{l} 7 + 4 = 11 \\ 88 \end{array} \times 8$$

$$\begin{array}{l} 56 : 32 \end{array}$$

$$56 - 32 = 24$$

Answer 24

END OF QUESTIONS